

※NOTES※

MATERIALS

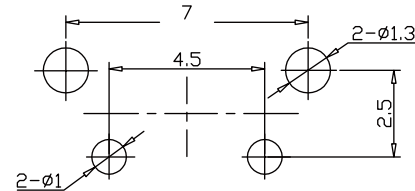
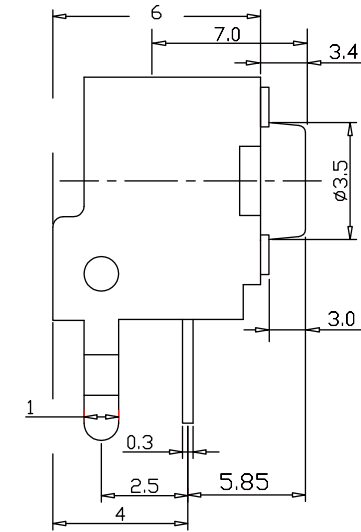
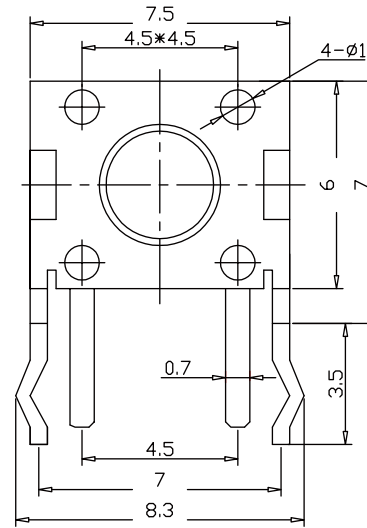
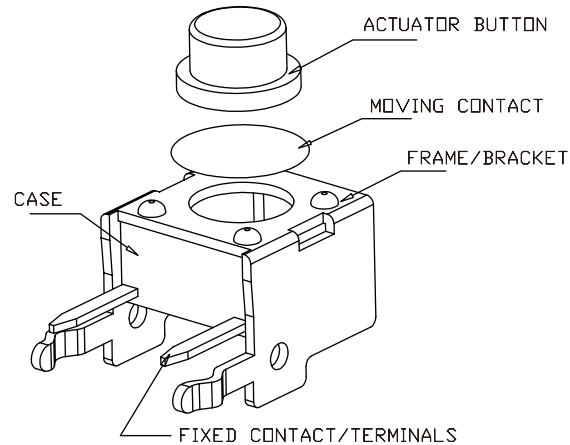
- ① CASE : NYLON 6/6, COLOR BLACK
- ② FRAME/BRACKET : STEEL, TIN OVER NICKEL
- ③ ACTUATOR BUTTON : NYLON 6/6, UL94HB
- ④ MOVING CONTACT : COPPER ALLOY, SILVER PLATED
- ⑤ FIXED CONTACT/TERMINALS : COPPER ALLOY, SILVER OVER NICKEL

ELECTRICAL

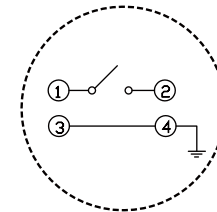
- ① RATING : 50mA, 12VDC
- ② CONTACT RESISTANCE : 100mΩ MAX.
- ③ INSULATION RESISTANCE : 100MΩ MIN.
- ④ DIELECTRIC WITHSTAND VOLTAGE : 250VAC 50/60Hz FOR 1 MINUTE
- ⑤ PUSH FORCE : 180±30gf
- ⑥ LIFE EXPECTANCY : 100,000 CYCLES

ENVIRONMENTAL

- ① OPERATING TEMPERATURE : -35°C ~ +85°C
- ② STORAGE TEMPERATURE : -35°C ~ +85°C
- ③ SOLDER HEAT RESISTANCE PER 109-202, CONDITION B
- ④ SOLDERABILITY PER EIA-364-52 CLASS II, CATEGORY 1



RECOMMENDED P.C.B. LAYOUT



SCHEMATIC

<small>QUALITY CONTROL EFFECTIVE DATE: 2018.08.01 THE SYMBOL IS ▲</small>  <small>RoHS COMPLIANT</small>  <small>HIP COMPLIANT</small>  <small>LEAD-FREE</small>	<b>METRIC</b>		<b>WIROS Electronics Int'l CO., Ltd.</b>	
	DRAWER: YUTE, PEI		<small>NOTICE OF PROPRIETARY PROPERTY: THIS DRAWING CONTAINS INFORMATION THAT IS PROPRIETARY TO WIROS ELECTRONICS INTERNATIONAL COMPANY LIMITED. AND SHOULD NOT BE USED WITHOUT WIROS'S WRITTEN CONSENT.</small>	
	APPROVER: SKY, WANG			
	<small>DIMENSIONS ARE IN MILLIMETERS TOLERANCES</small>		TITLE	
X. ±0.35 X.X ±0.25 X.XX ±0.15 X.XXX --- ANGLES ±2°		PUSH-BUTTON SWITCH (NORMAL OPEN)		
<small>DO NOT SCALE DRAWINGS</small>		<small>PRODUCT NUMBER</small> SWAE6-51SP004N1		
<small>THIRD ANGLE PROJECTION</small>		<small>SCALE</small> NONE		
SIZE: A4	REV.	<small>SHEET 1 OF 1</small>		